

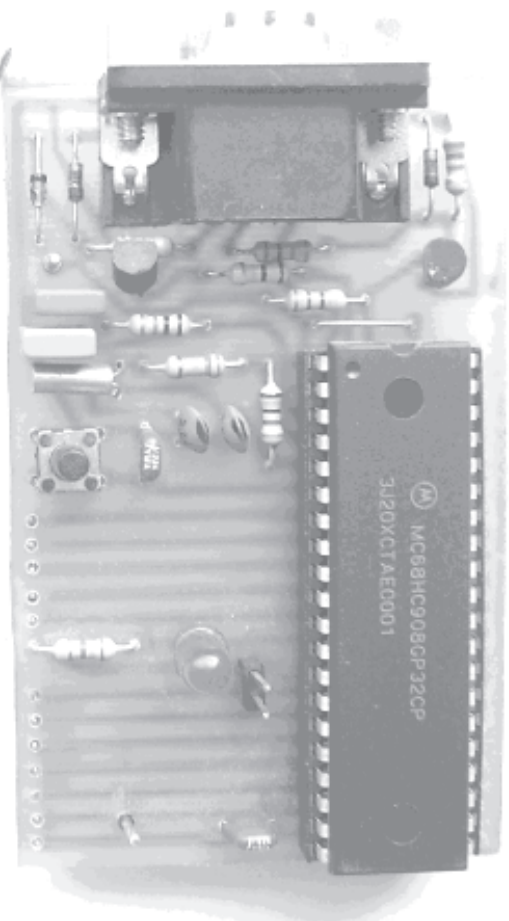
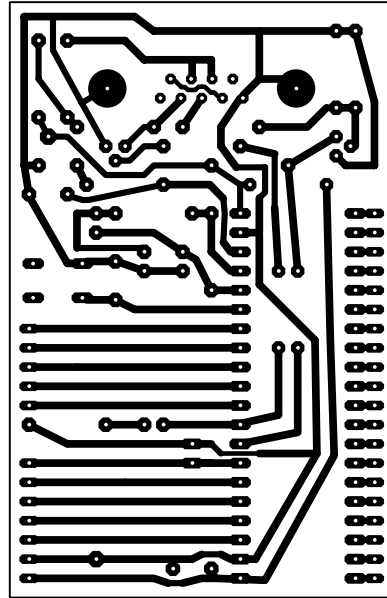
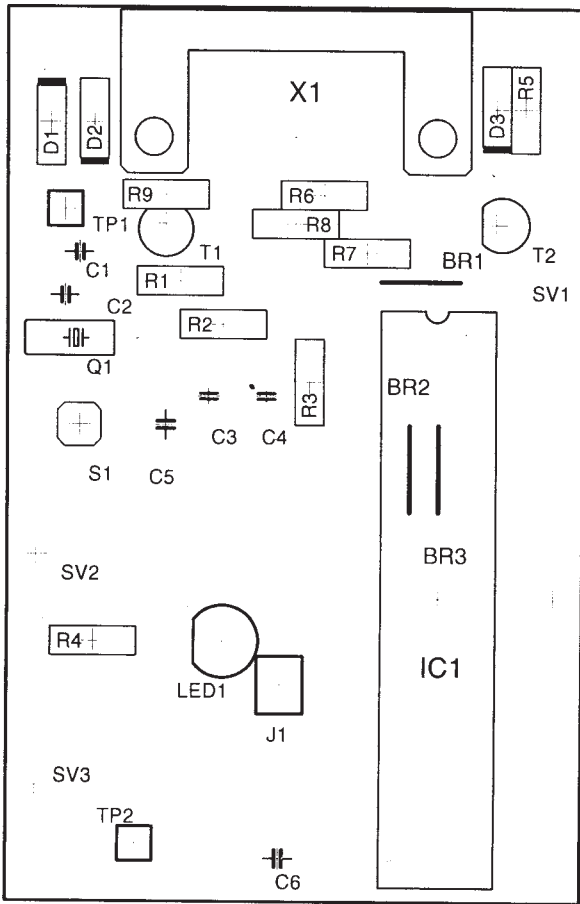
TITLE: GP32--SBC

Document Number:

Date: 20.01.2006 17:04:14

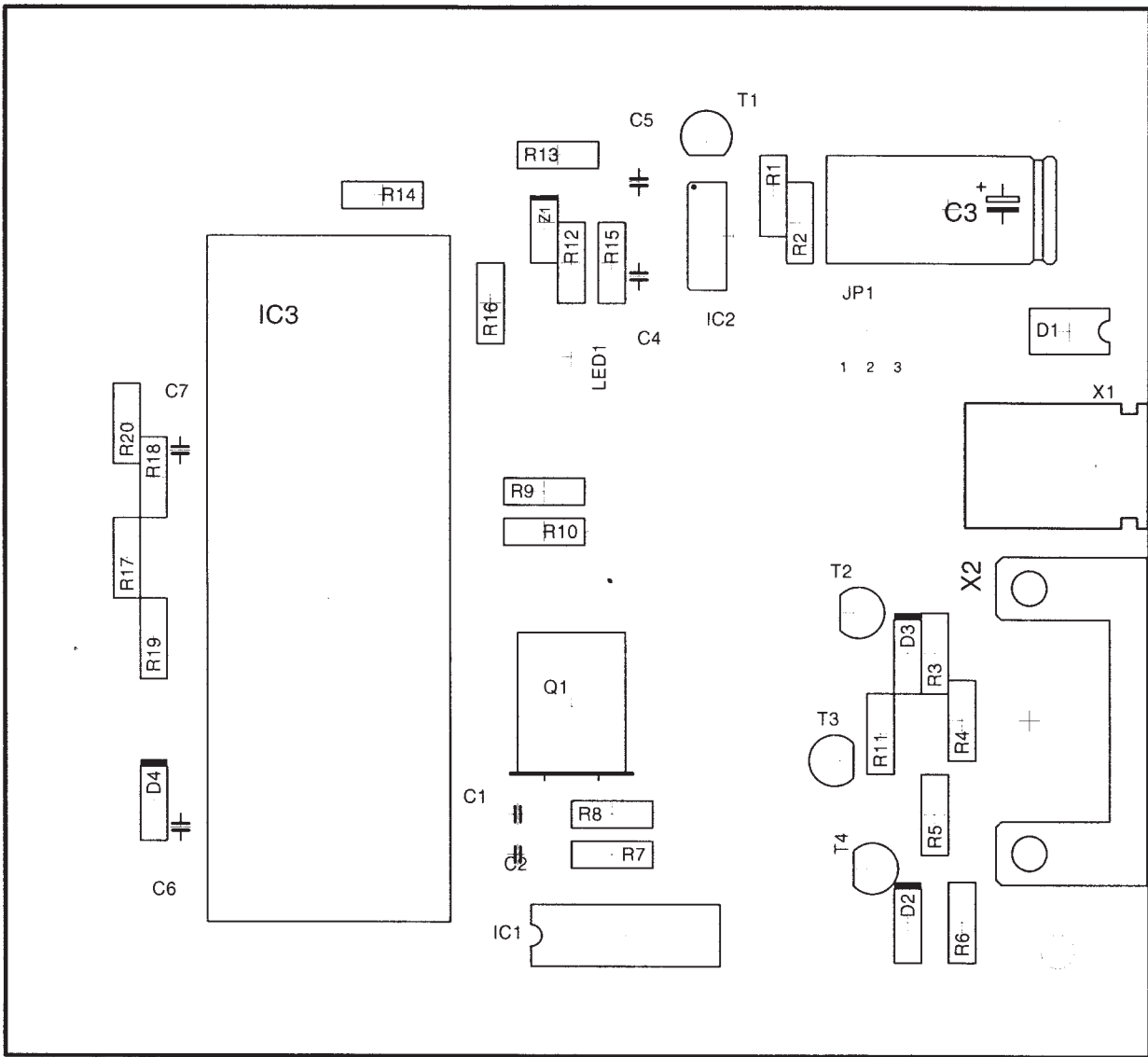
Sheet: 1/1

Adapter GP32-SBC

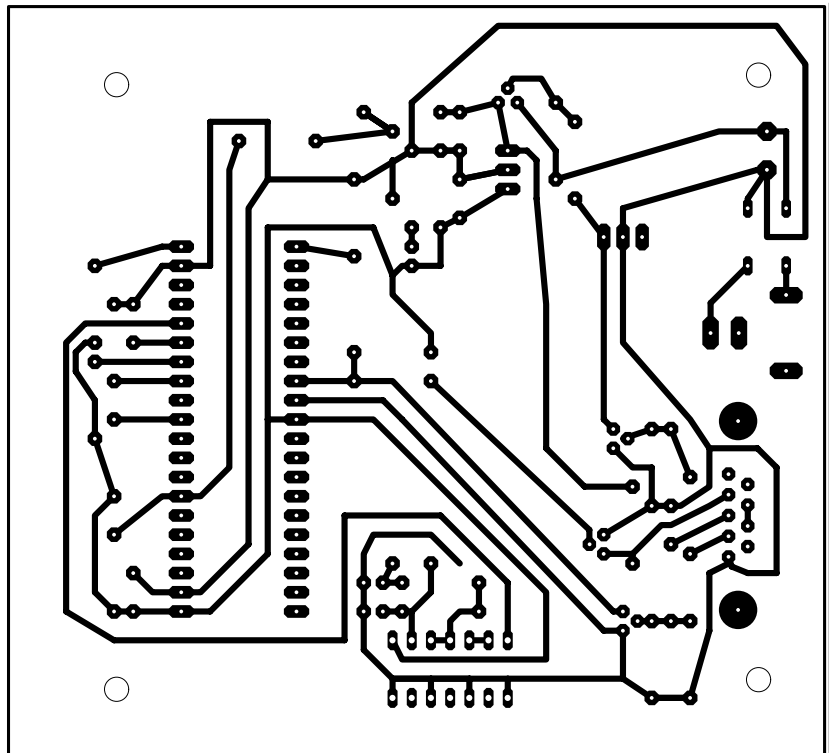


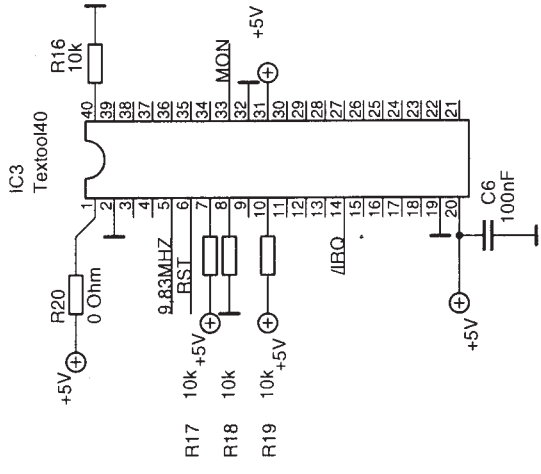
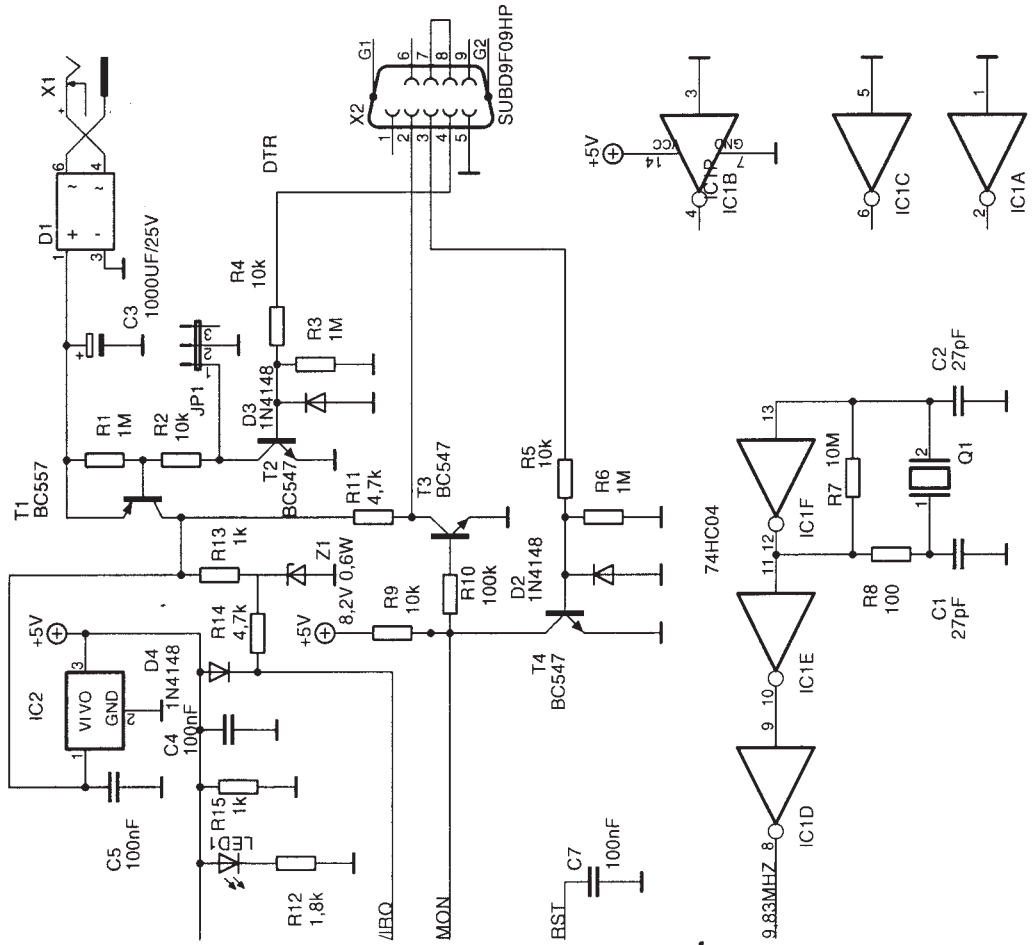
Stueckliste GP32-SBC

C1	33nF	Raster 5,08 Folie z.B. WIMA MKS-2 oder Kerko X7R
C2	10nF	"
C3	22pF	Raster 2,54 Kerko NP0
C4	22pF	"
C5	100nF	Raster 5,08 Kerko Z5U
C6	100nF	"
D1	1N4148	Raster 10,16
D2	1N4148	
D3	1N4148	
IC1	Socket DIL 40	
J1	2pol Stiftleiste	
LED1	5mm rot 2mA	z.B. Reichelt „LED 5mm 2MA rt“
Q1	32kHz Uhrenquarz	z.B. Reichelt „0,032768“
R1	10k	Raster 10,16 Bauform 0207
R2	330k	"
R3	10M	"
R4	1,8k	"
R5	1M	"
R6	10k	"
R7	4,7k	"
R8	100k	"
R9	4,7k	"
BR1	0 Ohm	Drahtbruecke
BR2	0 Ohm	"
BR3	0 Ohm	"
S1	Taster	z.B. Reichelt „Taster 3301B“
SV1	Buchsenleiste 20pol	z.B. Conrad 74 11 59 - 07
SV2	Buchsenleiste 5pol	"
SV3	Buchsenleiste 7pol	"
T1	BC547	
T2	BC547	
TP1	Loetnagel	z.B. Reichelt „RTM 1-100“
TP2	Loetnagel	"
X1	SUB D9 Buchse	



Programmiergerät
 MC68HC908GP32





TITLE: GP32nanoPR06

Document Number:

REV:

Date: 01.01.1998 02:23:38

Sheet: 1/1

Stueckliste Programmiergeraet GP32

C1	33pF	Raster 2,54	Kerko NP0(geaendert 2.1.2007)
C2	33pF	"	(geaendert 2.1.2007)
C3	1000uF/25V	Raster 5,08	
C4	100nF	Raster 5,08	Kerko Z5U
C5	100nF	"	
C6	100nF	"	
C7	100nF	"	
D1	DIP-Gleichrichter	z.B. Reichelt	„B40C800DIP“
D2	1N4148	Raster 10,16	
D3	1N4148	"	
D4	1N4148	"	
IC1	74HC04	"	
IC2	uA7805	"	
IC3	Socket DIL40	eventuell	Textool
JP1	Stiftleiste 3pol	mit Jumper	
LED1	5mm rot 2mA	z.B. Reichelt	„LED 5mm 2MA rt“
Q1	Quarz 9,804 MHz	z.B. Reichelt	„9,8304 -HC18“
R1	1M	Raster 10,16	Bauform 0207
R2	10k		
R3	1M		
R4	10k		
R5	10k		
R6	1M		
R7	10M		
R8	100		
R9	10k		
R10	100k		
R11	4,7k		
R12	1,8k		
R13	1k		
R14	4,7k		
R15	1k		
R16	10k		
R17	10k		
R18	10k		
R19	10k		
R20	0 Ohm		
T1	BC557		
T2	BC547		
T3	BC547		
T4	BC547		
X1	ROKA-Stecker	z.B. Conrad	„73 79 92 - 07“
X2	Buchse SubD 9		
Z1	Z-Diode 8,2V	0,6W	

